

Read before installation.

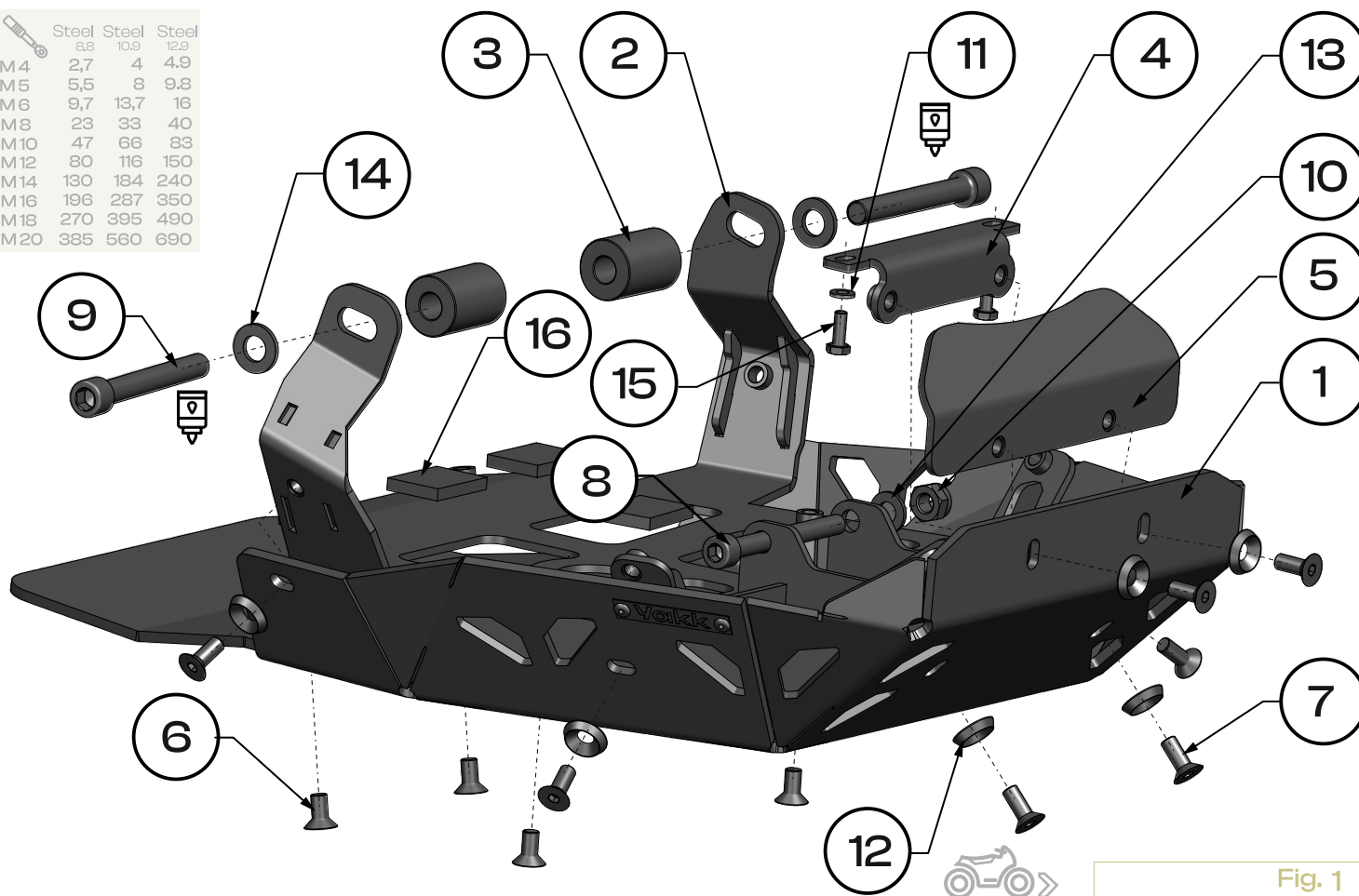
All bolts have to be finally tighten after installation all parts on vehicle.

Skid plate

BMW R12

ID:3088210

	Steel	Steel	Steel
	8,8	10,9	12,9
M4	2,7	4	4,9
M5	5,5	8	9,8
M6	9,7	13,7	16
M8	23	33	40
M10	47	66	83
M12	80	116	150
M14	130	184	240
M16	196	287	350
M18	270	395	490
M20	385	560	690



1 Skid plate  1x	2 Bracket  1x	3 Spacer sleeve  D30xd13xH42 2x
4 Connecting bracket  1x	5 Gauard  1x	6 Bolt  M8x16-DIN 7991 4x
7 Bolt  M8x20-DIN 7991 8x	8 Bolt  M10x90-DIN 912 1x	9 Bolt  M12x90-DIN 912 2x
10 Nut  M10-DIN 985 1x	11 Washer  M6-DIN 125 2x	12 Washer  M8-DIN 9081 8x
13 Washer  M10-DIN 125 1x	14 Washer  M12-DIN 125 2x	15 Bolt  M6x16-DIN 933 2x
		16 Rubber buffer  3x

In the kit, you will find parts **[4]** and **[5]**, which are installed interchangeably depending on whether you are mounting only the skid plate or the skid plate together with crash bars .

[4]Component used when it is mounted together with crash bars - product 3088209.
[5]Component used when only the skid plate is mounted - product 3088210.

 one person  use a medium-strength  tighten with torque **OEM** Original Equipment Manufacturer

Yoikk EXP

assembly instructions

yokkexp.com



**EXPLORE
POSSIBILITIES**

**!!! Initially, attach the screws loosely.
After assembling everything together, tighten them with the appropriate force.**

follow  [yakkexp](#) join [#yakkherd](#)

1. Unscrew the screws and remove the engine cover - OEM

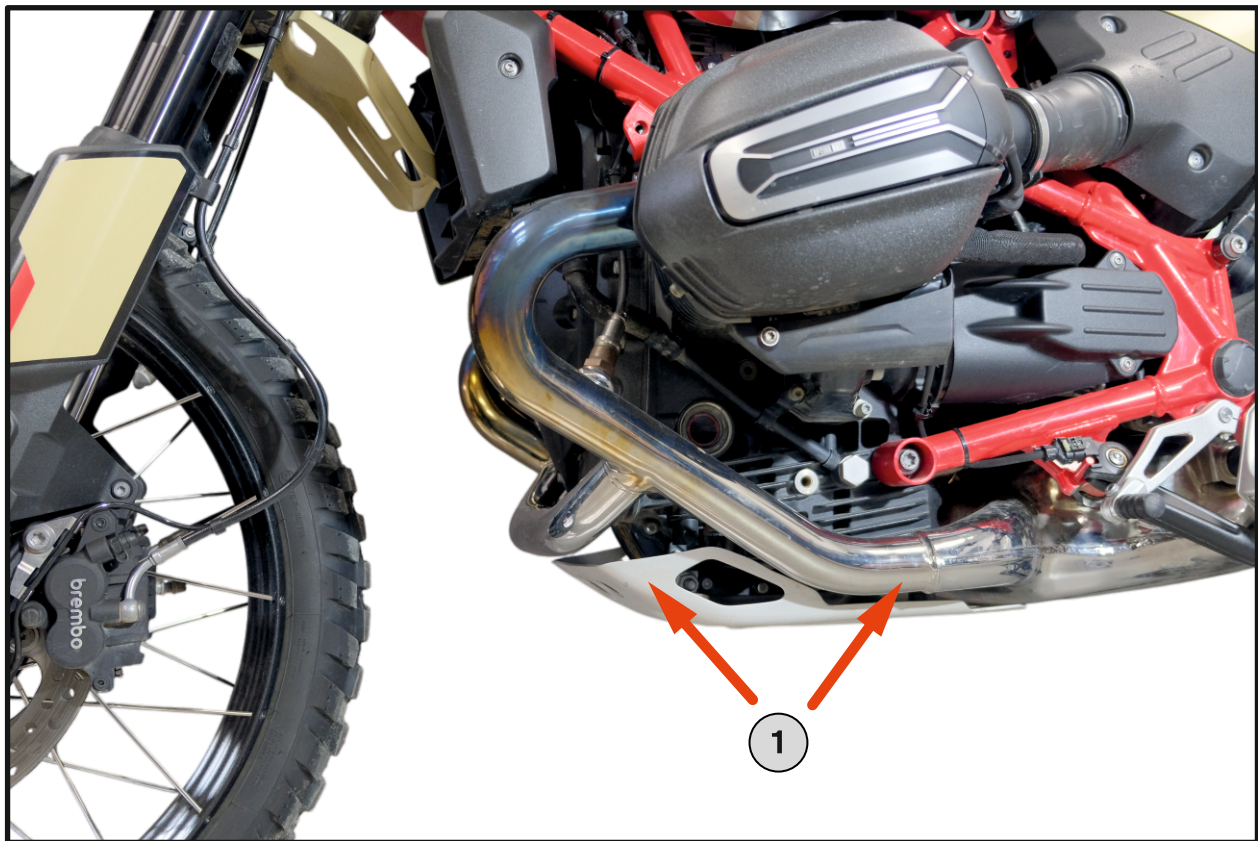


Fig. 2

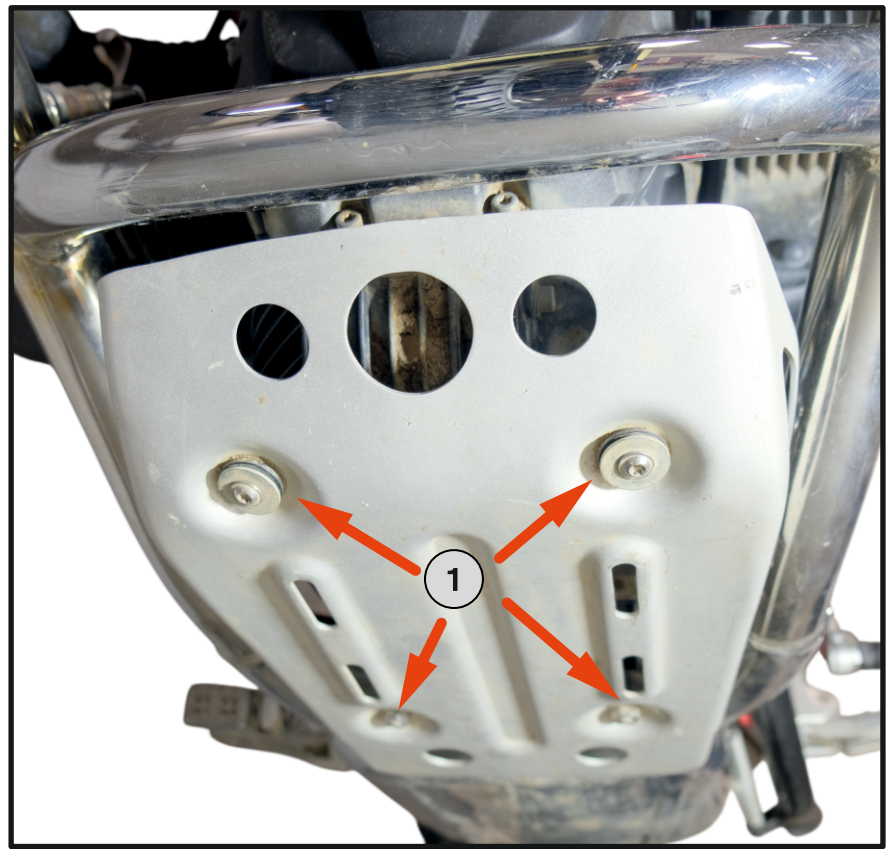


Fig. 3



!!! Initially, attach the screws loosely.

After assembling everything together, tighten them with the appropriate force.

follow  yakkexp join #yakkherd

2. Remove the OEM skid plate by unscrewing the nut and pulling out the screw.

3. Unscrewing the screws holding the OEM skid plate

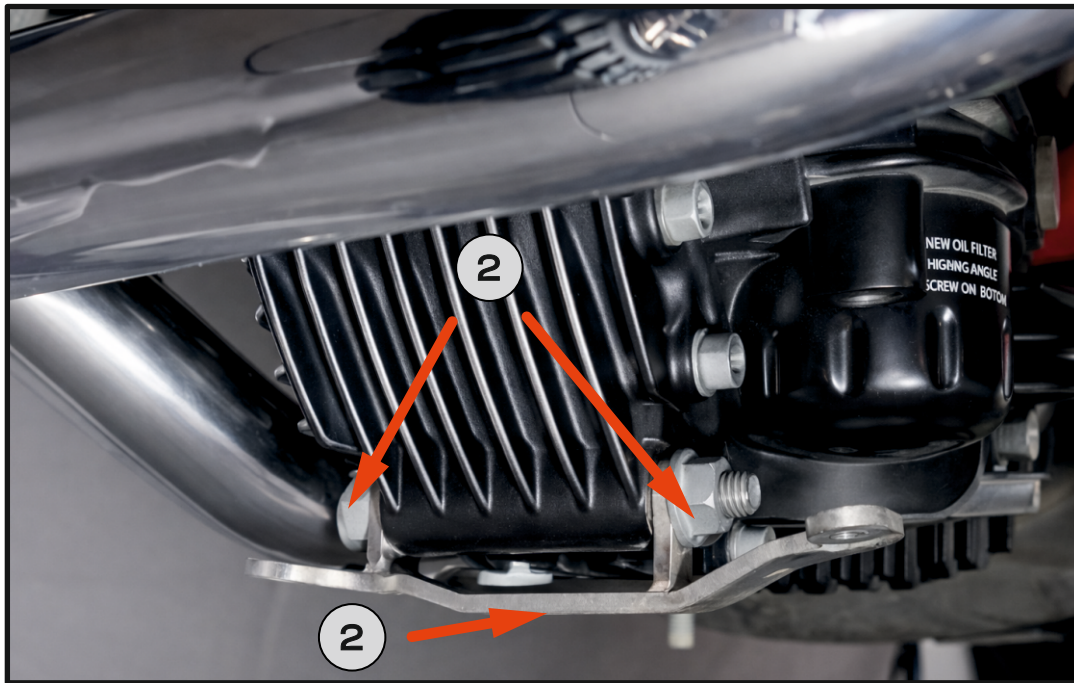


Fig. 4

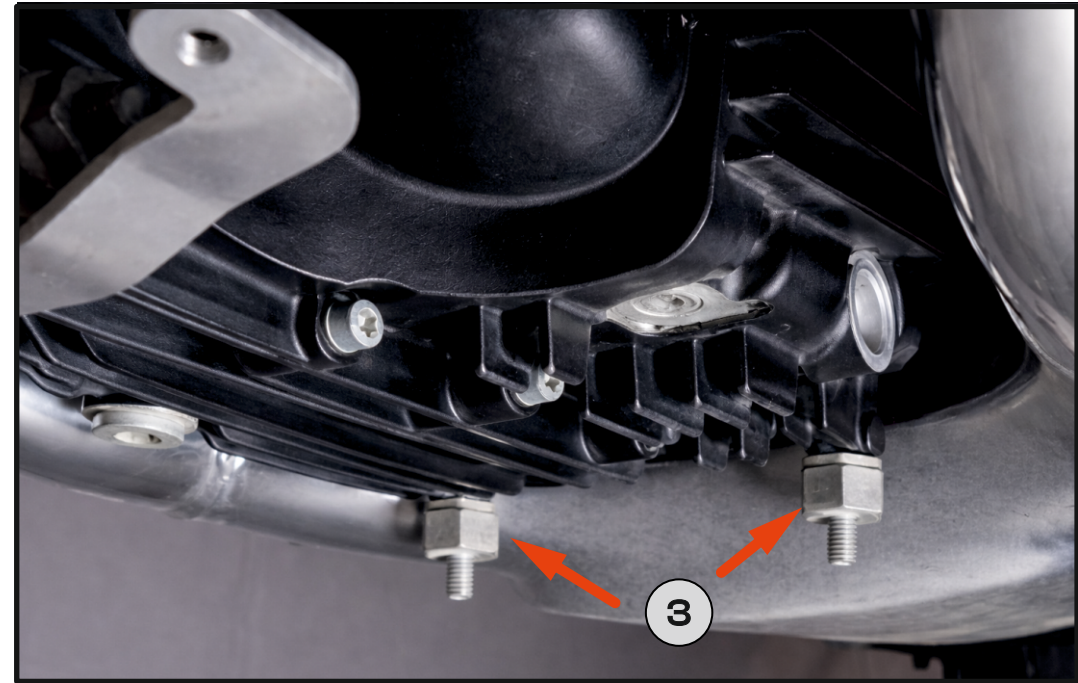
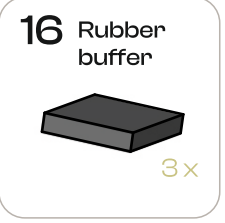


Fig. 5



!!! Initially, attach the screws loosely.
After assembling everything together, tighten them with the appropriate force.

4. Glu the element [6] to the bracet mounting [2] according to the dimensions [mm] in the drawing. [Fig. 6]



Mounting for product skid plate YakkID:3088210 without crash bars YakkID:3088209

5. Screw element [6] to the skid plate [1] using screws [7] through washer [12].



Fig. 6

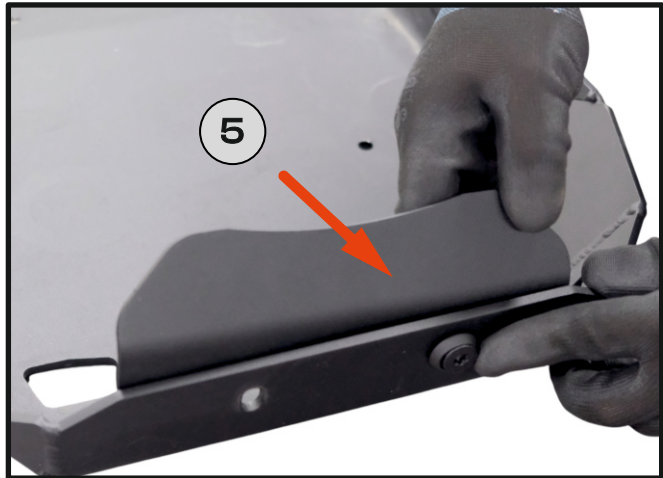


Fig. 7

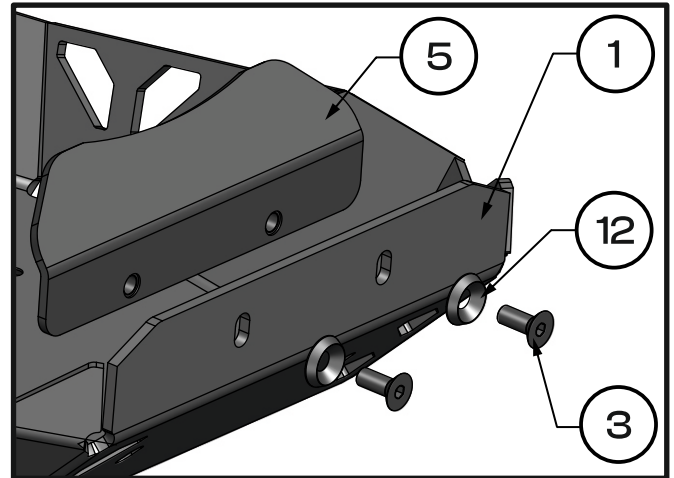


Fig. 8



!!! Initially, attach the screws loosely.

After assembling everything together, tighten them with the appropriate force.

follow  yakkexp join #yakkherd

4. Unscrew the **OEM** screws.

5. Insert the spacer sleeve **[3]**.

Repeat the procedure for the other side of the motorcycle.

3 Spacer sleeve



2x

D30xdt13xH42



Fig. 6

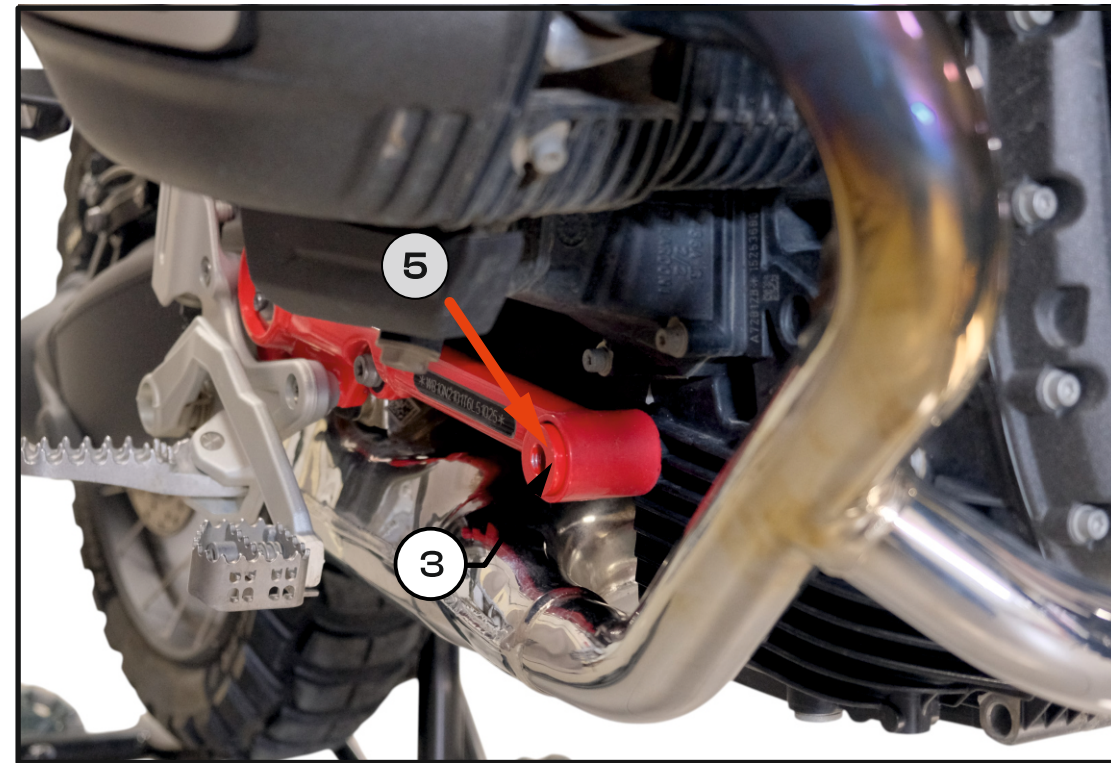


Fig. 7



!!! Initially, attach the screws loosely.

After assembling everything together, tighten them with the appropriate force.

follow  yakkexp join #yakkherd

4. Install the skid plate bracket [2] by screwing in the bolt [8] through the washer [13] and the nut [10].

5. Install the skid plate bracket [2] by screwing in the bolt [9] through the washer [14] and the spacer sleeve [3].
Repeat the procedure on the other side of the motorcycle. Use medium-strength adhesive.

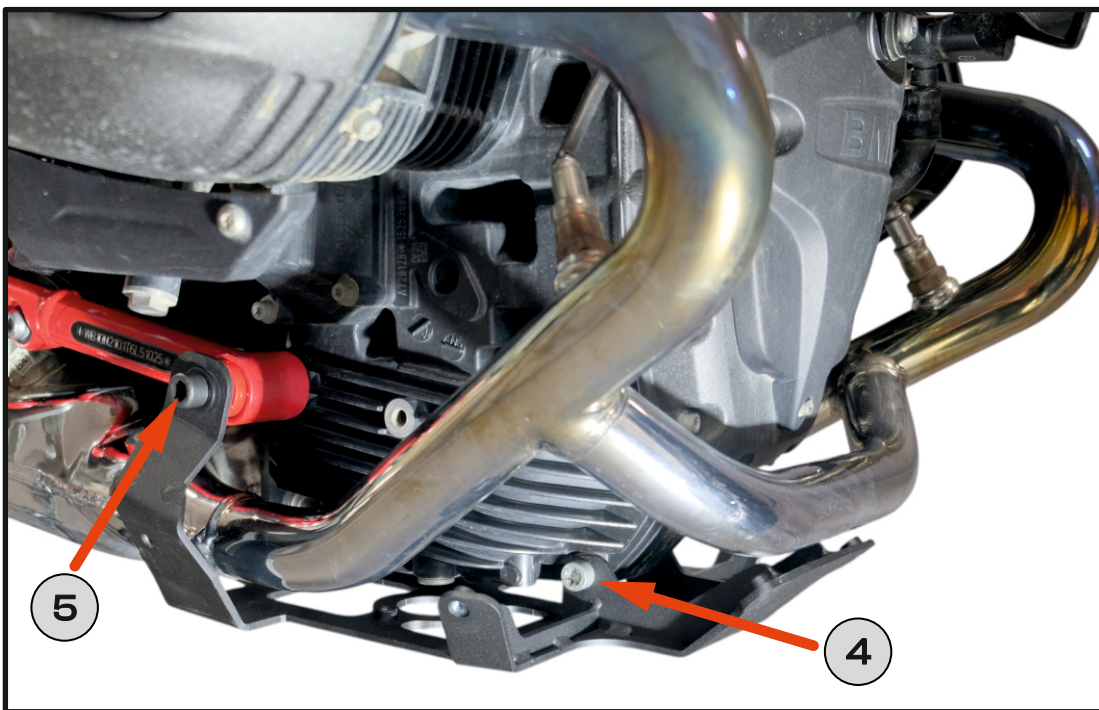


Fig.11

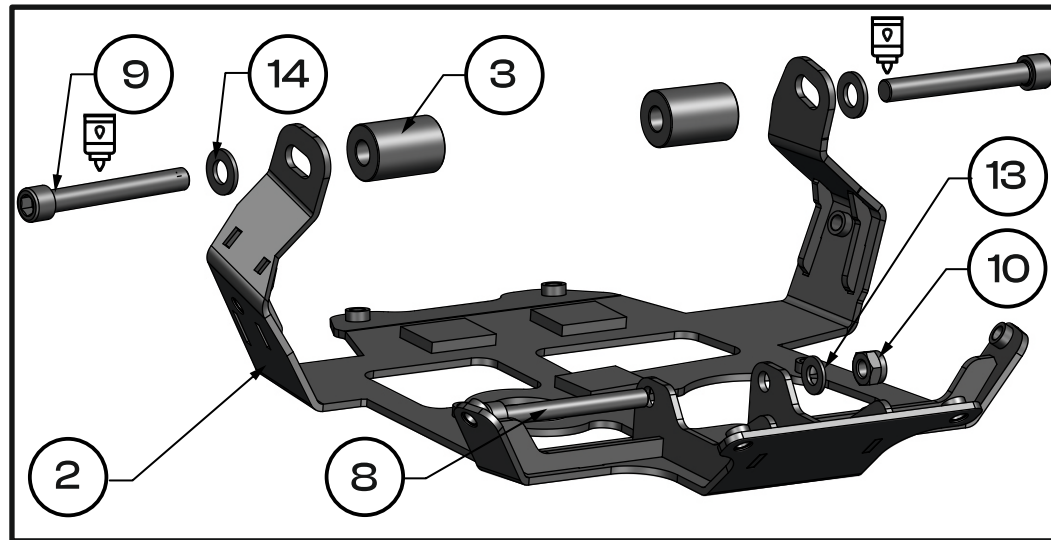


Fig.12

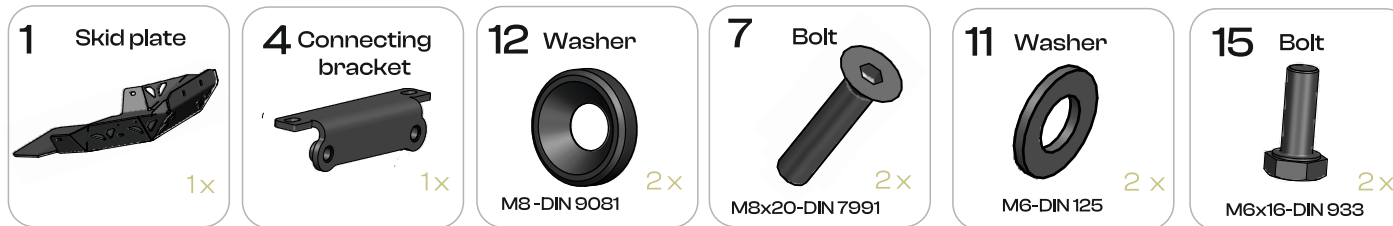


!!! Initially, attach the screws loosely.

After assembling everything together, tighten them with the appropriate force.

6. Screw the bracket **[4]** to the Yak exp ID:3088210 (included in the set) using the bolt **[15]** through the washer **[11]**.

7. Screw the skid plate **[1]** to the bracket using the bolt **[7]** through the washer **[12]**.



1 Yakk exp ID:3088209

2 Yakk exp ID:3088210

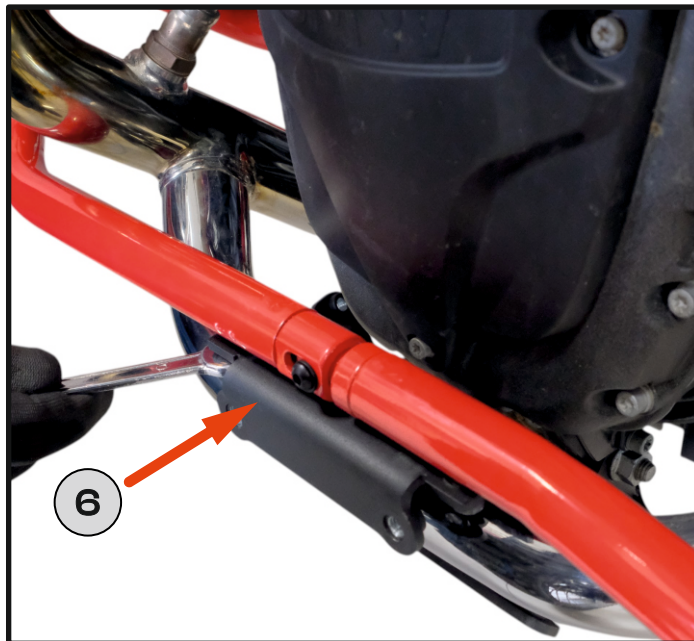


Fig.13

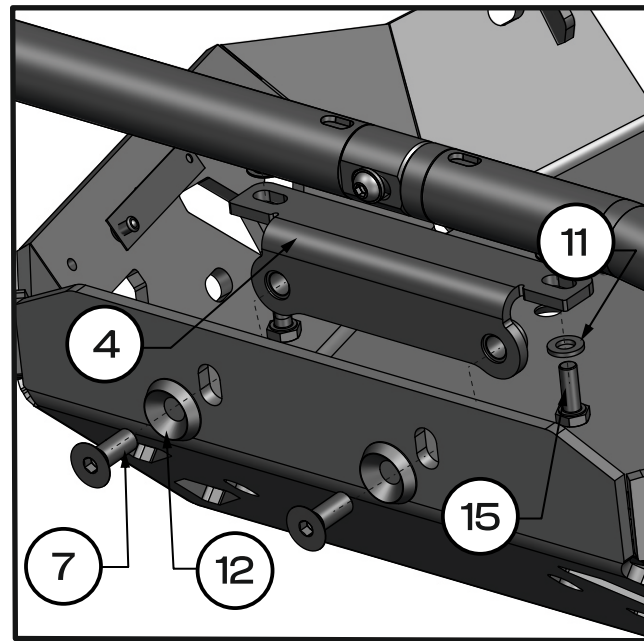


Fig.14

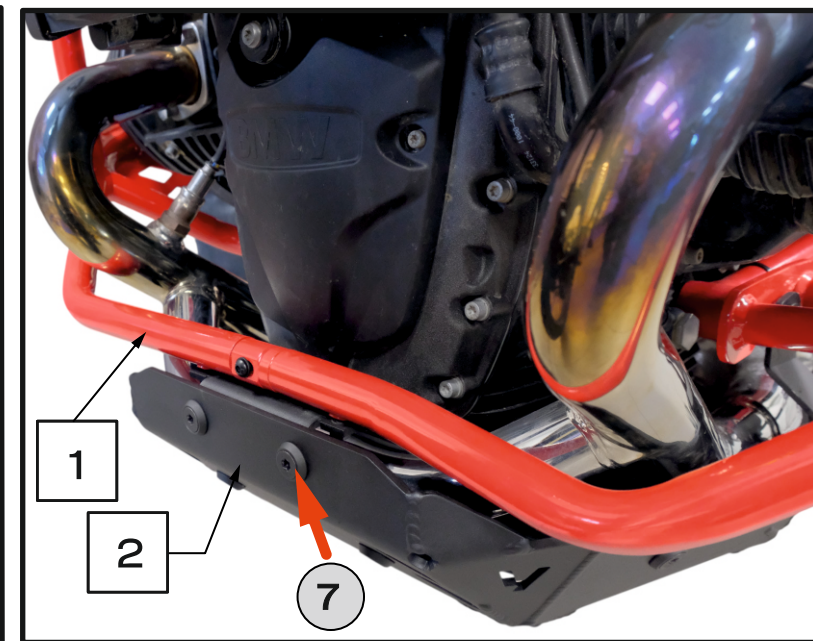


Fig.15



!!! Initially, attach the screws loosely.

After assembling everything together, tighten them with the appropriate force.

follow  yakkexp join #yakkherd

8. Screw the skid plate [11] in place using screws [7] and washers [12].

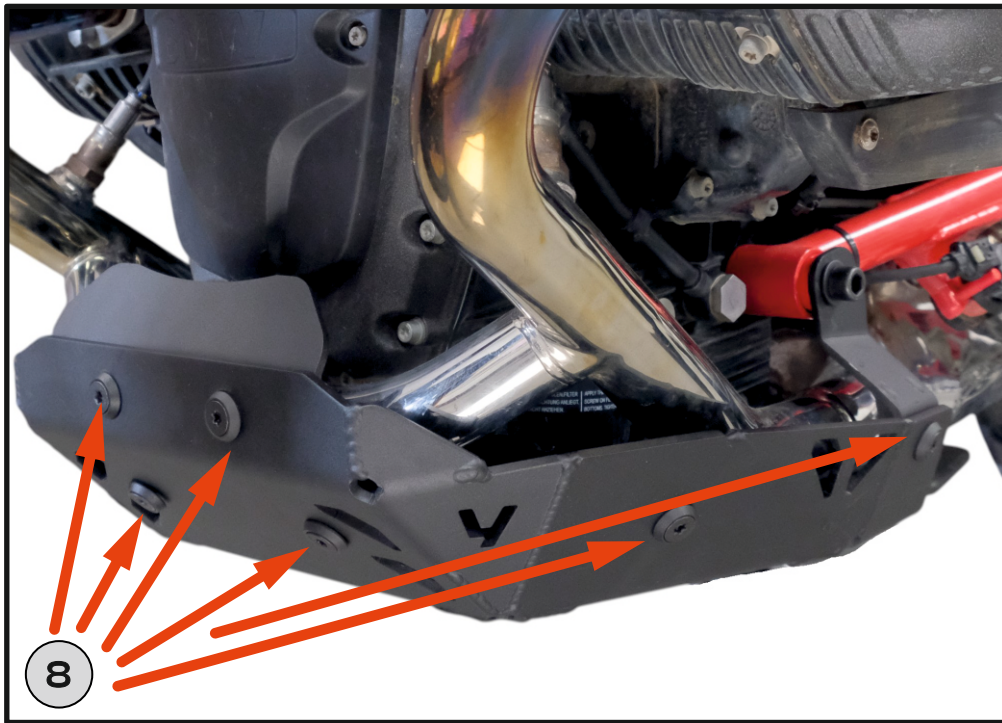
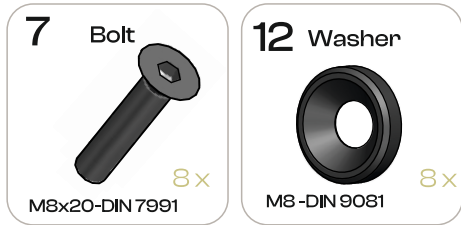


Fig.16

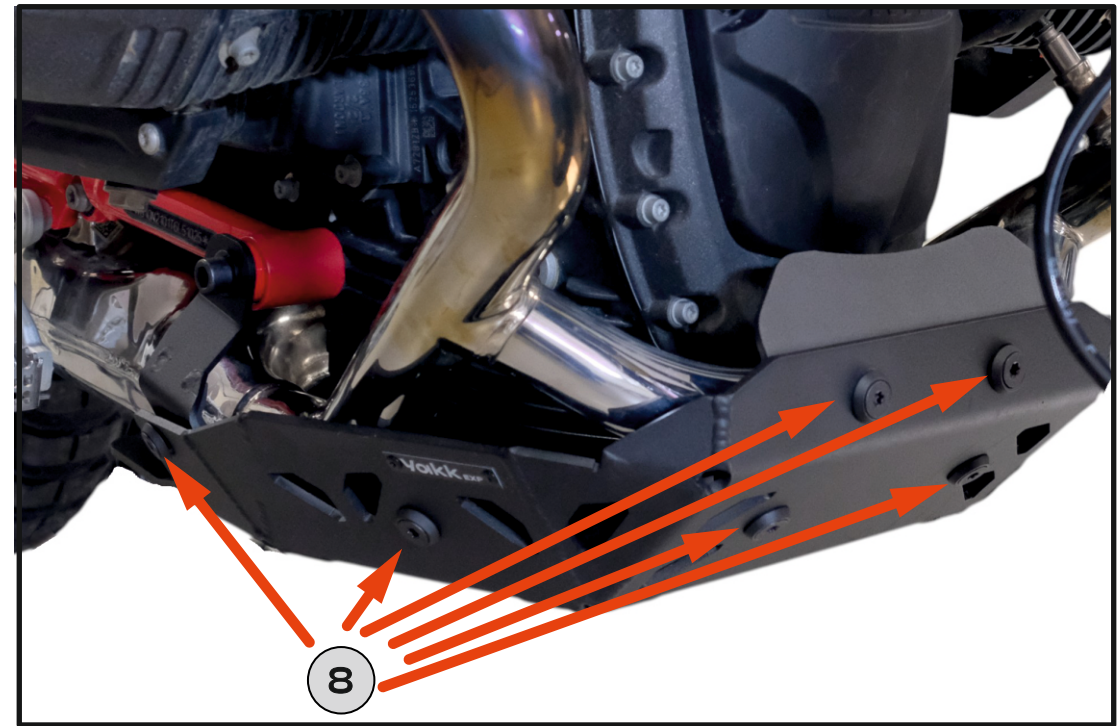
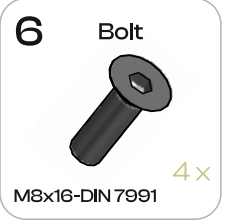


Fig.17



!!! Initially, attach the screws loosely.
After assembling everything together, tighten them with the appropriate force.



9. Screw the skid plate [1] in place using screws [6].

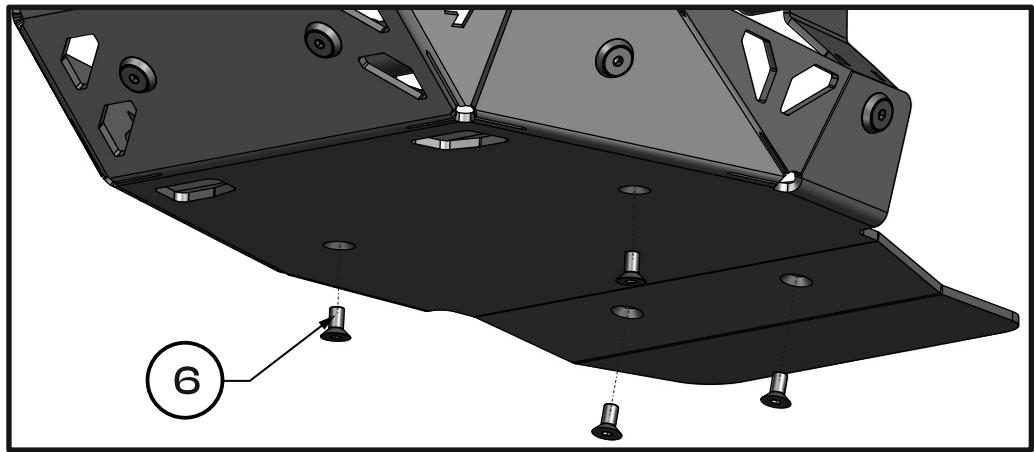
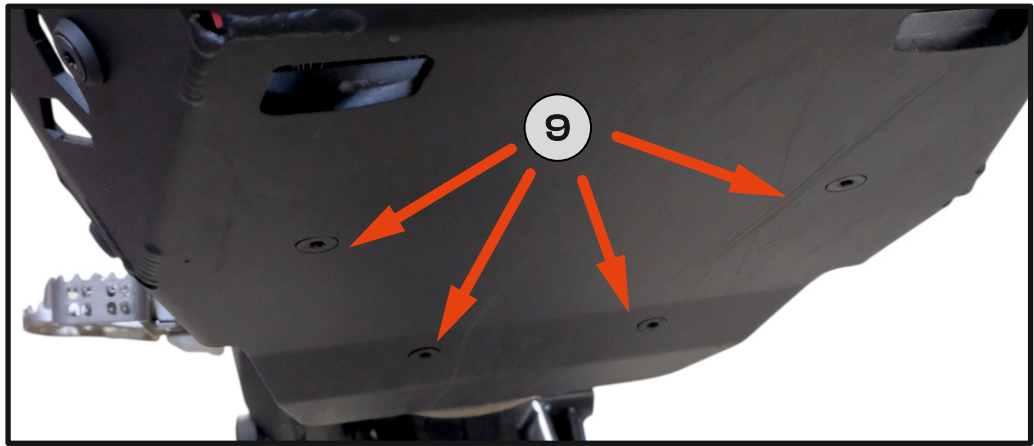



 Fig.18



 Fig.19

10. Position the plate and tighten all screws with the appropriate force.



 Fig.20

