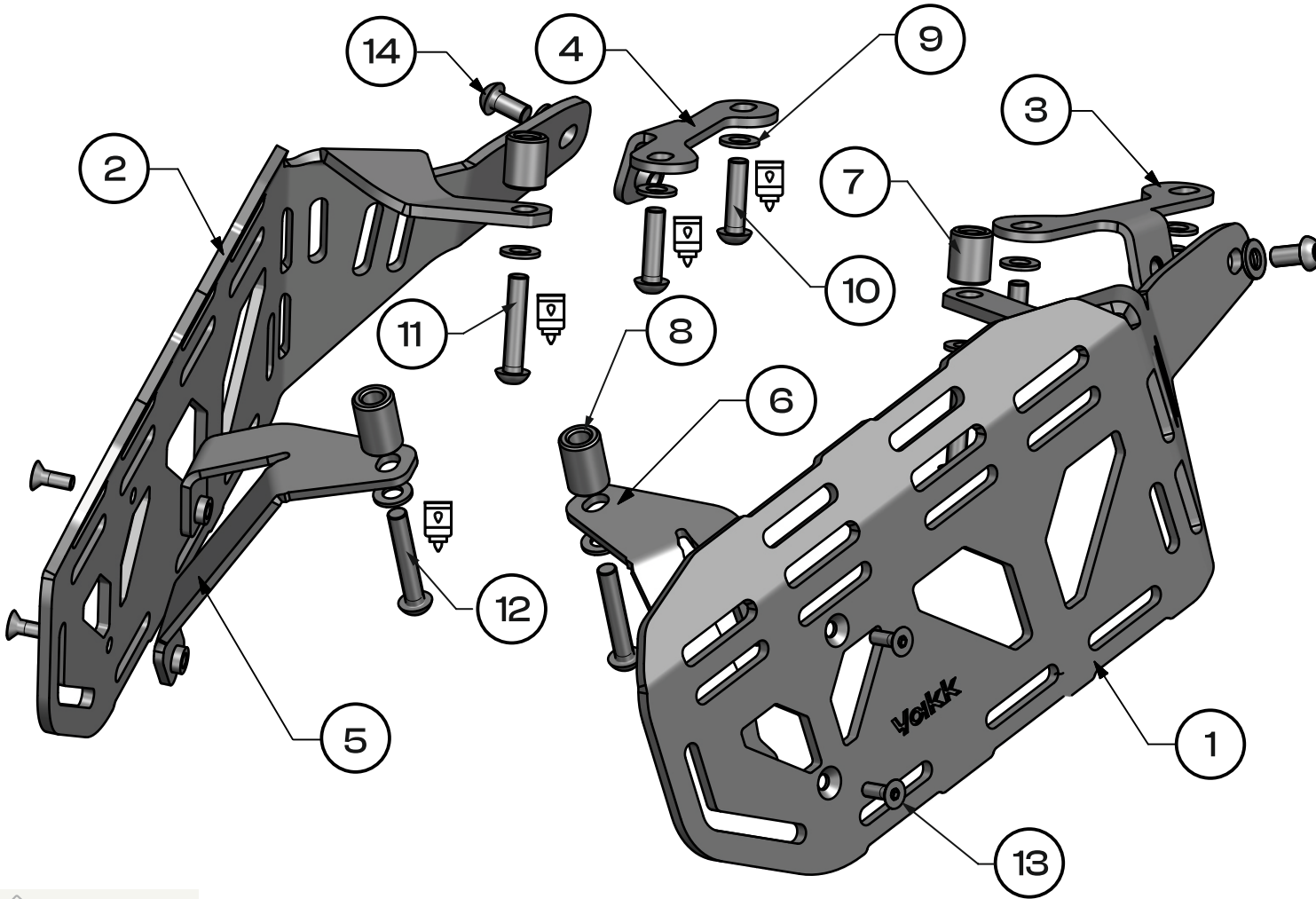

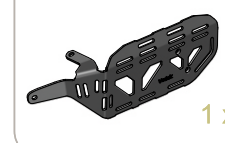

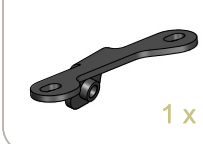




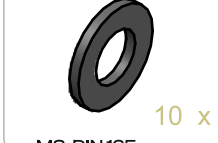







BMW R12

ID:3088208



- | | | |
|--|--|--|
| 1 Right luggage rack
 1 | 2 Left luggage rack
 1x | 3 Front right bracket
 1x |
| 4 Front left bracket
 1x | 5 Rear right bracket
 2x | 6 Rear left bracket
 2x |
| 7 Spacer sleeve
 2x
D17xd9xH21 | 8 Spacer sleeve
 2x
D17xd9xH25 | 9 Washer
 10x
M8-DIN 125 |
| 10 Bolt
 4x
M8x30-DIN 7380 | 11 Bolt
 2x
M8x40-DIN 7380 | 12 Bolt
 2x
M8x45-DIN 7380 |
| 13 Bolt
 4x
M6x16-DIN 7991 | 14 Bolt
 2x
M8x16-DIN 7380 | |

	Steel 8.8	Steel 10.9	Steel 12.9
M4	2,7	4	4,9
M5	5,5	8	9,8
M6	9,7	13,7	16
M8	23	33	40
M10	47	66	83
M12	80	116	150
M14	130	184	240
M16	196	287	350
M18	270	395	490
M20	385	560	690



Fig. 1

Read before installation.

All bolts have to be finally tighten after installation all parts on vehicle.

 one person
  use a medium-strength
  tighten with torque

OEM Original Equipment Manufacturer



2. Unscrew the bolts and remove the passenger footrests on the right and left sides of the motorcycle.

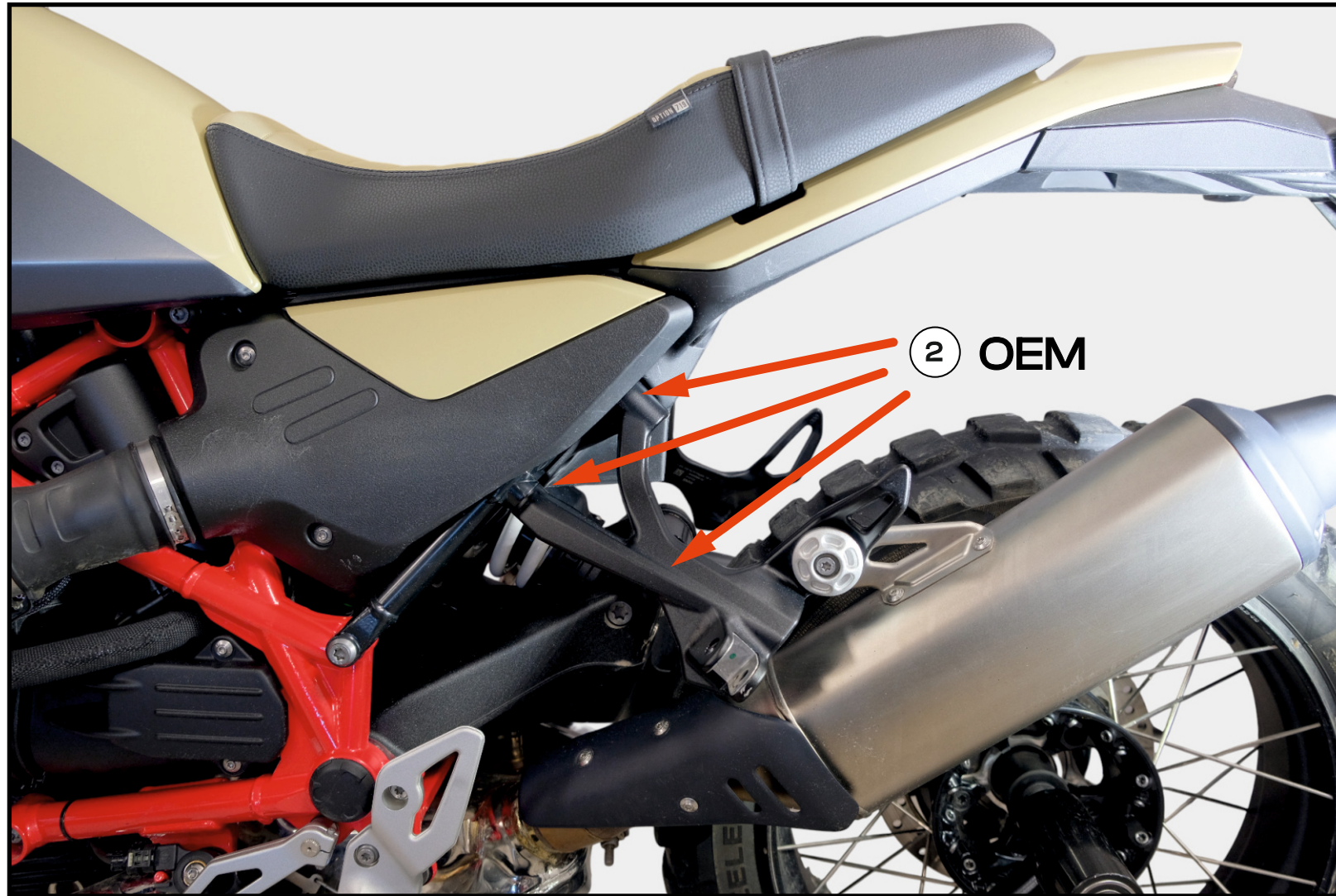






Fig. 2



!!! Initially, attach the screws loosely.

After assembling everything together, tighten them with the appropriate force.

3. Screw the brackets [3] and [4] through the OEM rear feet using screws [10] and washers [9]. Use medium-strength adhesive. Repeat the procedure on the other side of the motorcycle.

<p>3 Front right bracket</p>  <p>1x</p>	<p>4 Front left bracket</p>  <p>1x</p>	<p>9 Washer</p>  <p>M8-DIN125 4x</p>	<p>10 Bolt</p>  <p>M8x30-DIN 7380 4x</p>
--	--	--	--

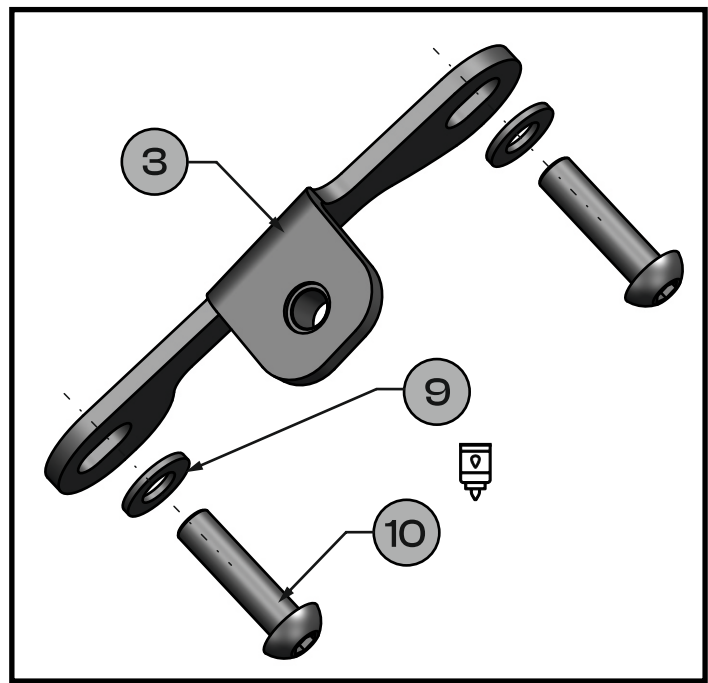
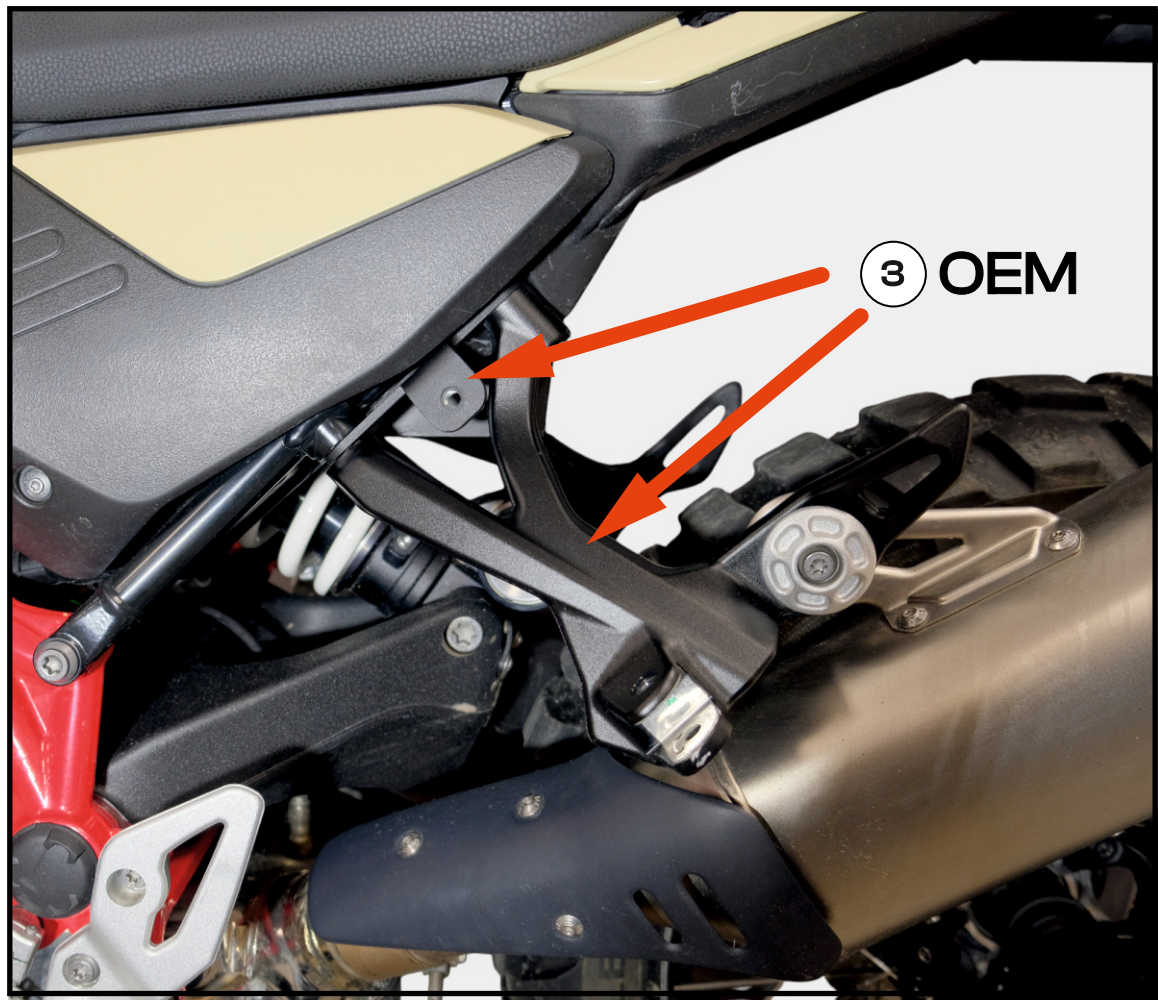



 Fig. 3



 Fig. 4

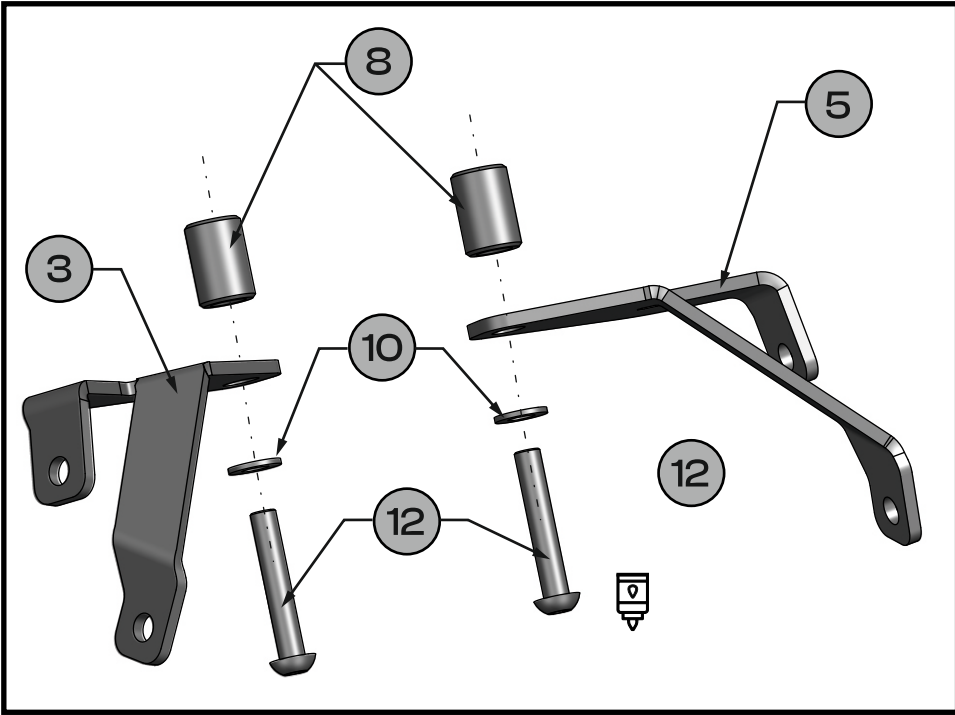



!!! Initially, attach the screws loosely.

After assembling everything together, tighten them with the appropriate force.

4. Screw [5] and [6] with screw [12] using washer [9] and sleeve [8] as shown in the illustration. Use medium-strength adhesive. Repeat the procedure on the other side of the motorcycle.

<p>5 Rear right bracket</p>  <p>2x</p>	<p>6 Rear left bracket</p>  <p>2x</p>	<p>8 Spacer sleeve</p>  <p>2x D17xd9xH25</p>	<p>9 Washer</p>  <p>2x M8-DIN125</p>	<p>12 Bolt</p>  <p>2x M8x45-DIN 7380</p>
--	---	---	--	--



 Fig. 5

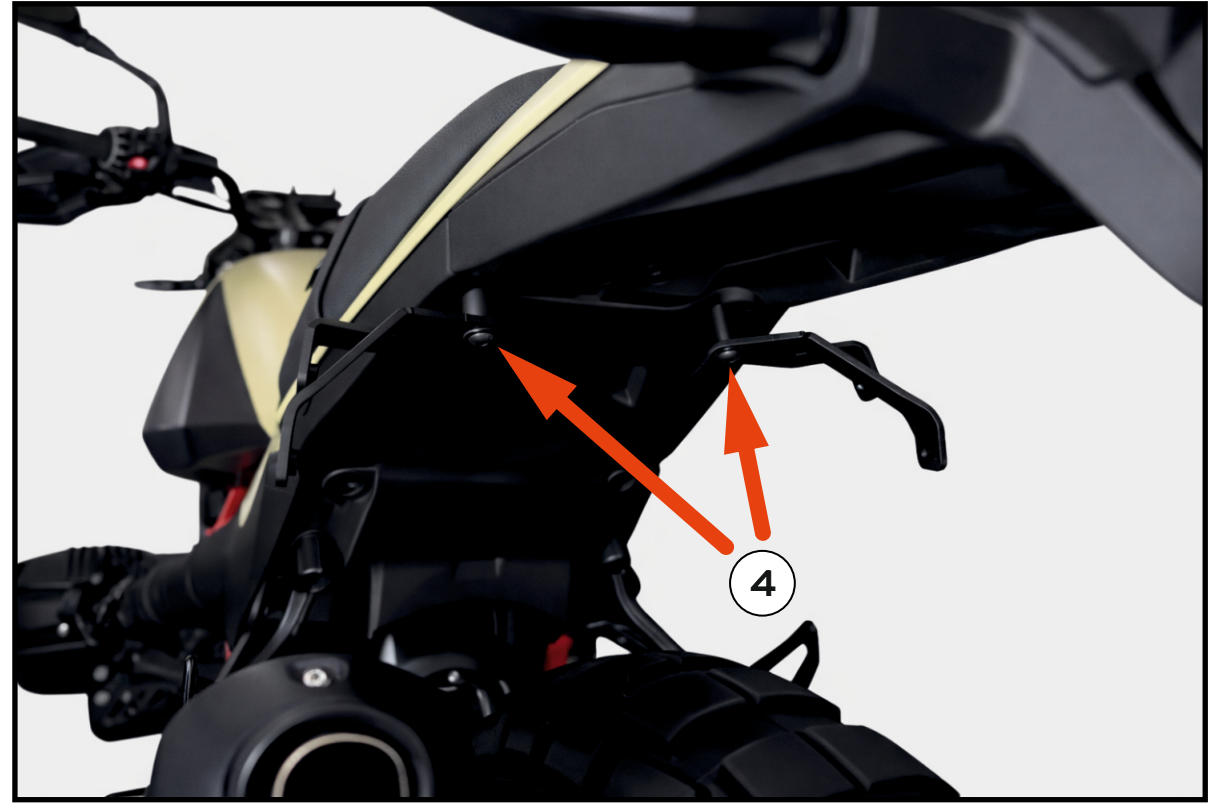


 Fig. 6



!!! Initially, attach the screws loosely.

After assembling everything together, tighten them with the appropriate force.

5. Fasten the side carriers [1] and [2] using bolt [12], passing it through washer [9] and spacer sleeve [7]. Use medium-strength adhesive. Repeat the procedure on the other side of the motorcycle.

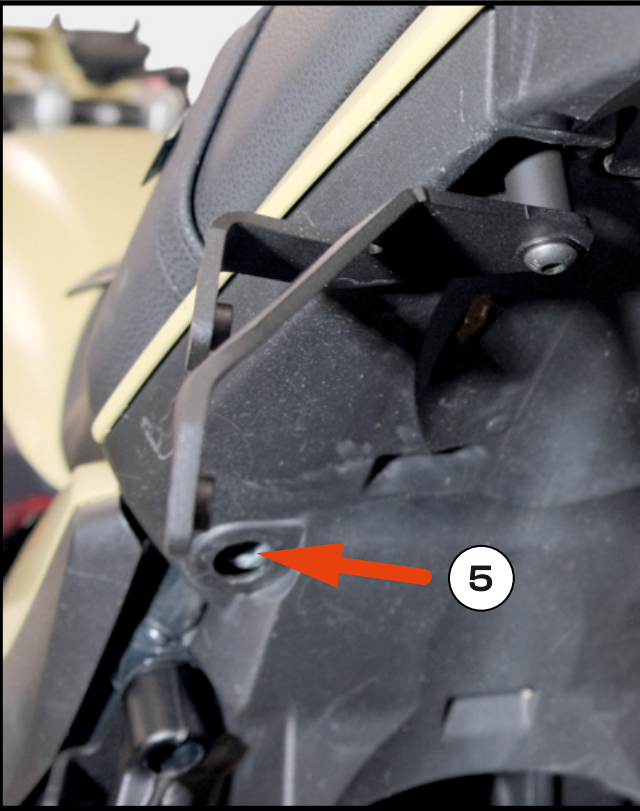


Fig. 7



Fig. 8

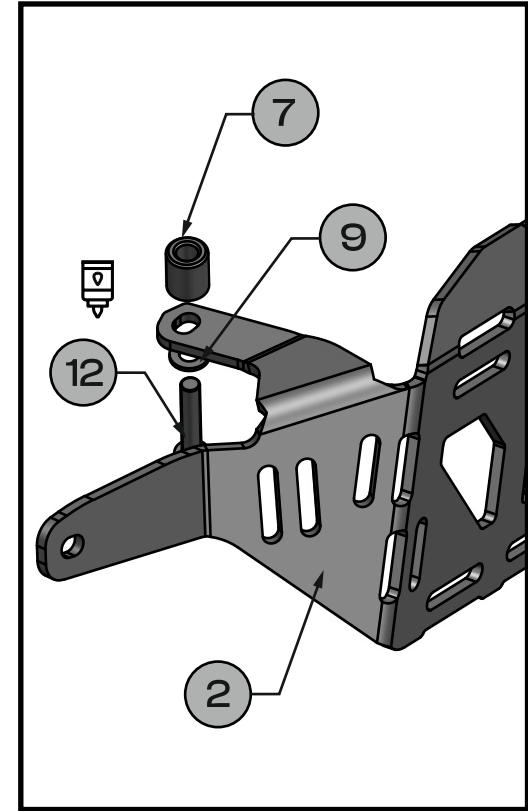


Fig. 9



!!! Initially, attach the screws loosely.

After assembling everything together, tighten them with the appropriate force.

follow  [yakkexp](#) join [#yakkherd](#)

6. Fasten the front of the side carriers **[1]** and **[2]** using bolt **[14]** and washer **[9]**. Repeat the procedure on the other side of the motorcycle.

7. Fasten the rear of the side carriers **[1]** and **[2]** to the brackets using bolt **[13]**. Repeat the procedure on the other side of the motorcycle.

8. Align the side carriers with the motorcycle centerline, ensuring proper symmetry and parallel position. After alignment, tighten all bolts to the specified torque according to their strength class.

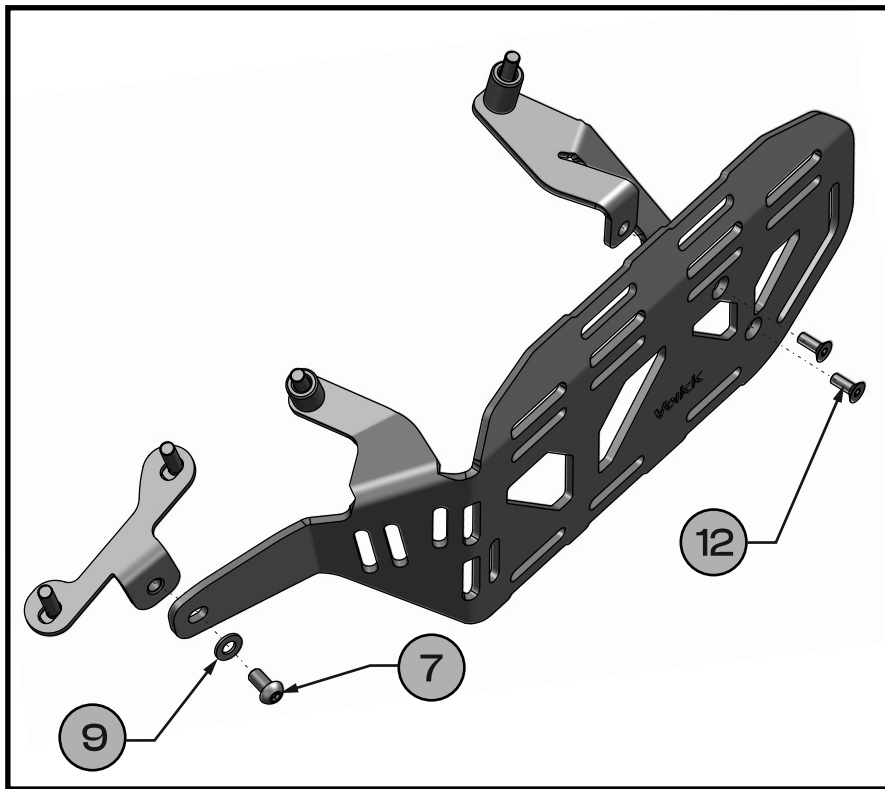
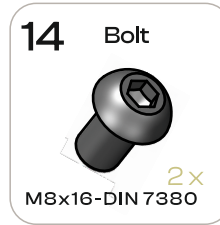
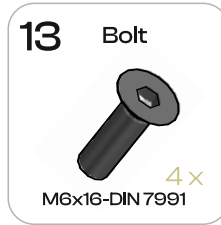


Fig. 5

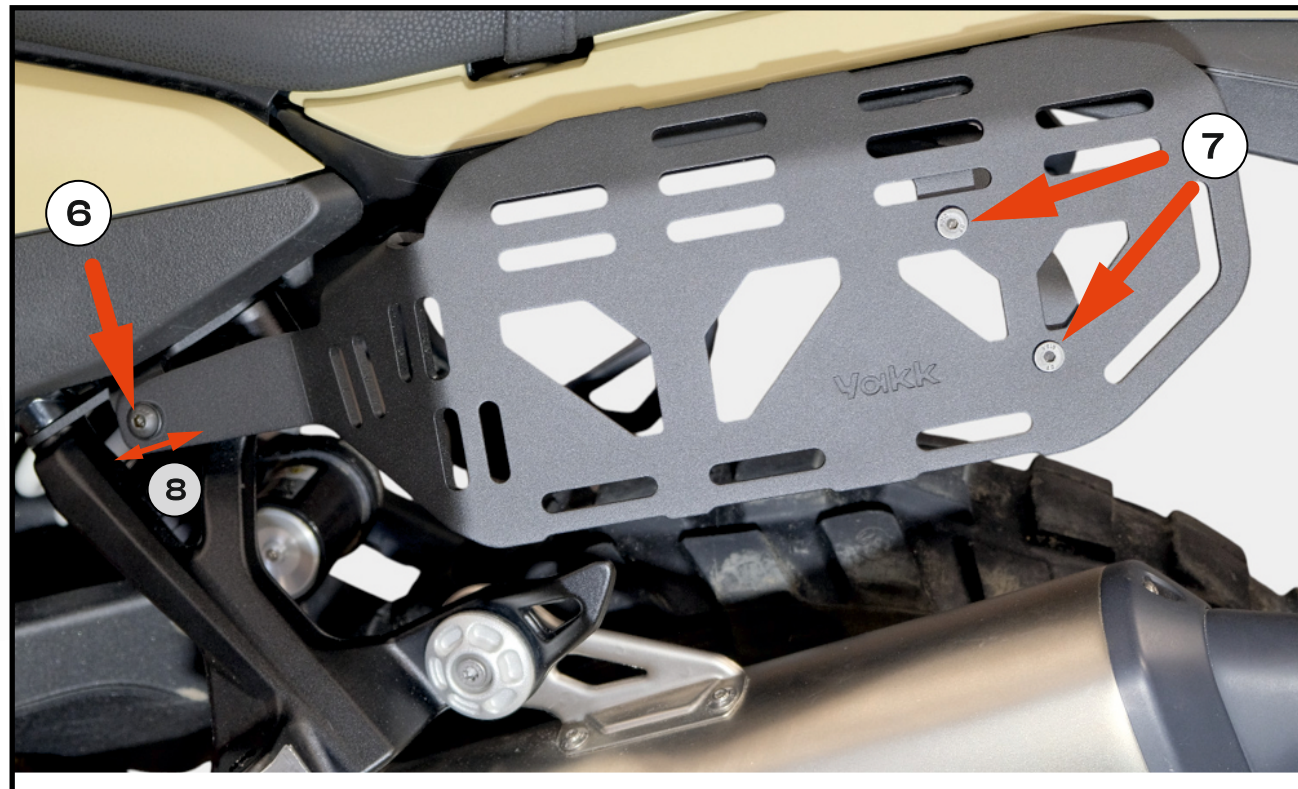


Fig. 6

Yoikk EXP

assembly instructions

[yakkexp.com](#)



**EXPLORE
POSSIBILITIES**