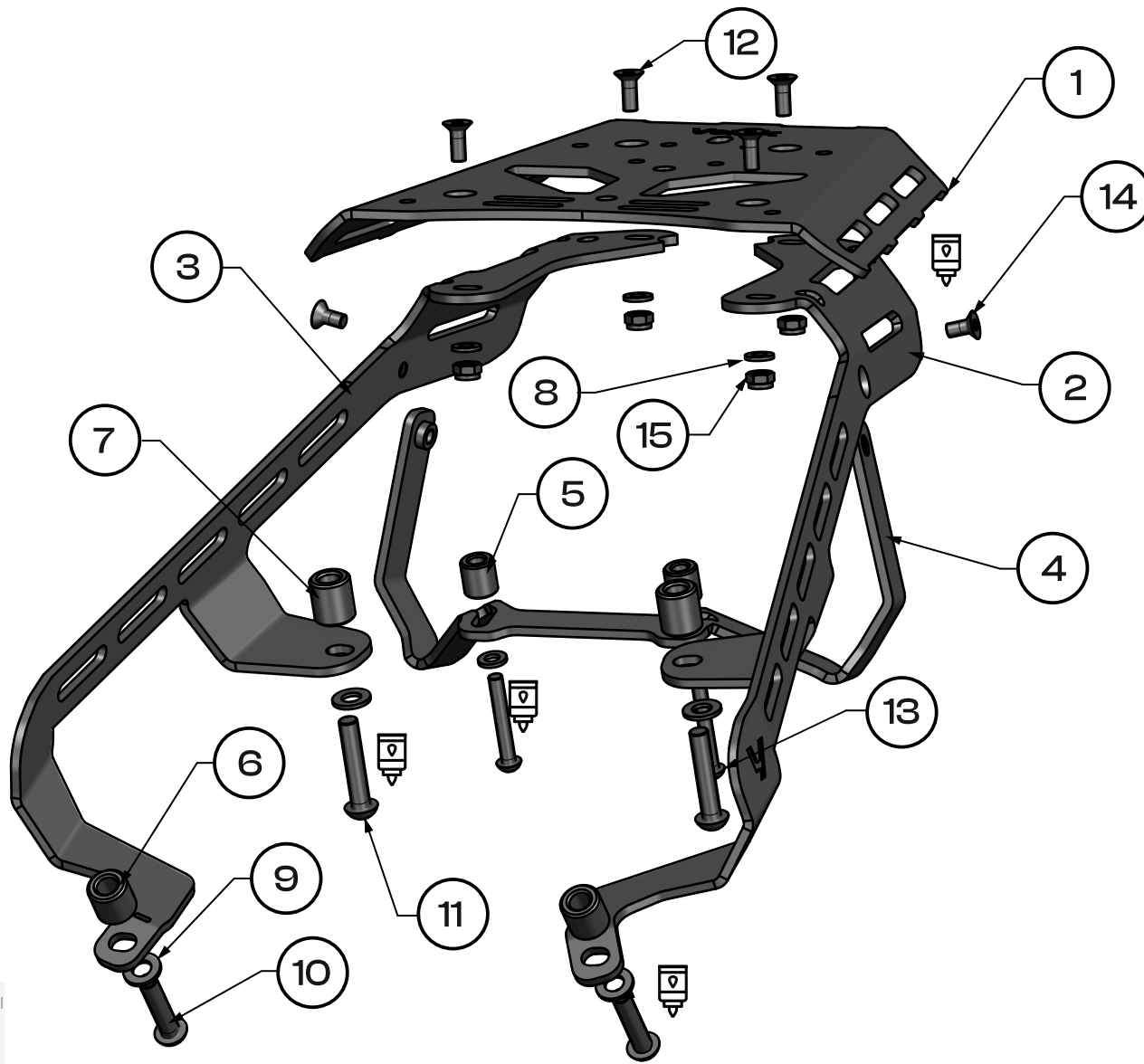












BMW R12

ID:3088207



- | | | |
|---|---|---|
| 1 Rack plate
 1 | 2 Left bracket
 1 x | 3 Right bracket
 1 x |
| 4 Central bracket
 1 x | 5 Spacer sleeve
 2 x
D14xd7xH15 | 6 Spacer sleeve
 2 x
D17xd9xH17 |
| 7 Spacer sleeve
 2 x
D17xd9xH19 | 8 Washer
 6 x
M6-DIN 125 | 9 Washer
 4 x
M8-DIN 125 |
| 10 Bolt
 2 x
M8x35-DIN 7380 | 11 Bolt
 2 x
M8x40-DIN 7380 | 12 Bolt
 4 x
M6x16-DIN 7991 |
| 13 Bolt
 2 x
M6x40-DIN 7380 | 14 Bolt
 2 x
M6x12-DIN 7991 | 15 Nut
 4 x
M6-DIN 985 |

	Steel 8.8	Steel 10.9	Steel 12.9
M4	2,7	4	4,9
M5	5,5	8	9,8
M6	9,7	13,7	16
M8	23	33	40
M10	47	66	83
M12	80	116	150
M14	130	184	240
M16	196	287	350
M18	270	395	490
M20	385	560	690



Fig. 1

Read before installation.
 All bolts have to be finally tighten after installation all parts on vehicle.

 one person
  use a medium-strength
  tighten with torque
 OEM Original Equipment Manufacturer



!!! Initially, attach the screws loosely.

After assembling everything together, tighten them with the appropriate force.

follow  [yakkexp](#) join [#yakkherd](#)

1. Unscrew the screws and remove the handles.
2. Remove the caps and unscrew the screws.



Fig. 2



Fig. 3



!!! Initially, attach the screws loosely.

After assembling everything together, tighten them with the appropriate force.

3. Fasten the central mounting bracket **[4]** with an M6x40-DIN 7380 screw **[13]** through an M6 DIN 125 washer **[8]** and a D14x7xH15 sleeve **[5]**. Use medium-strength adhesive.

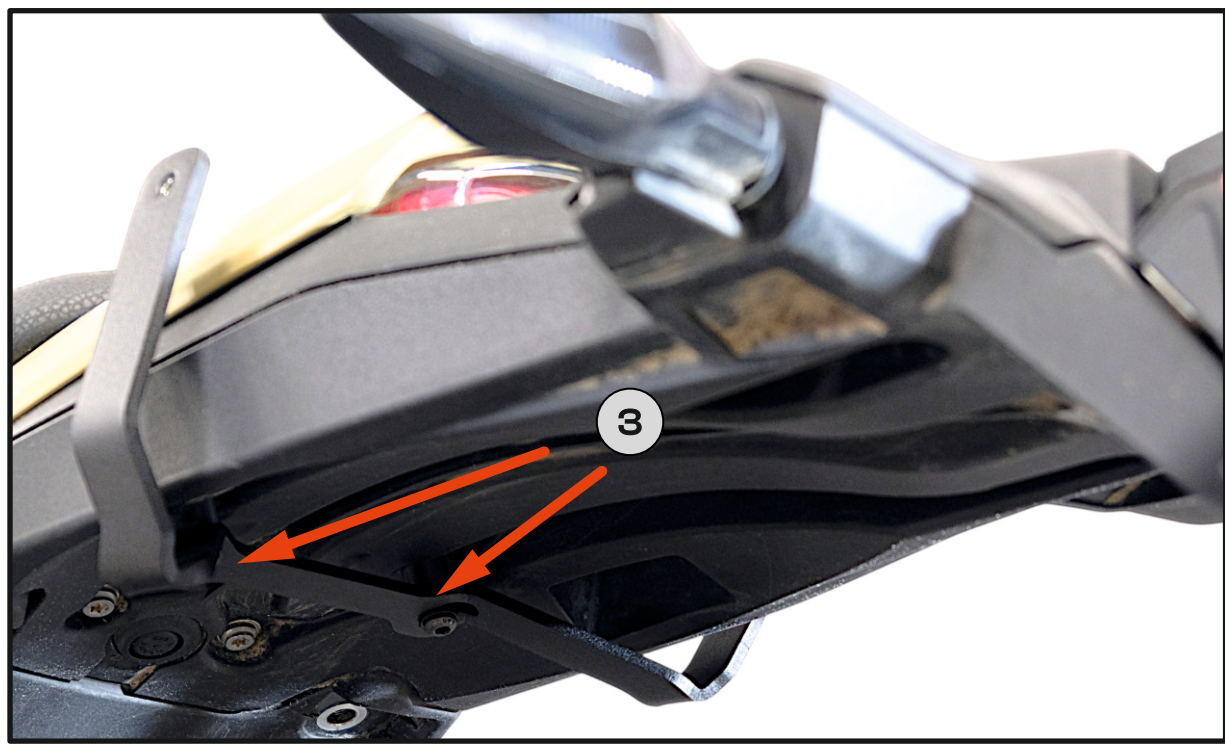


Fig. 4

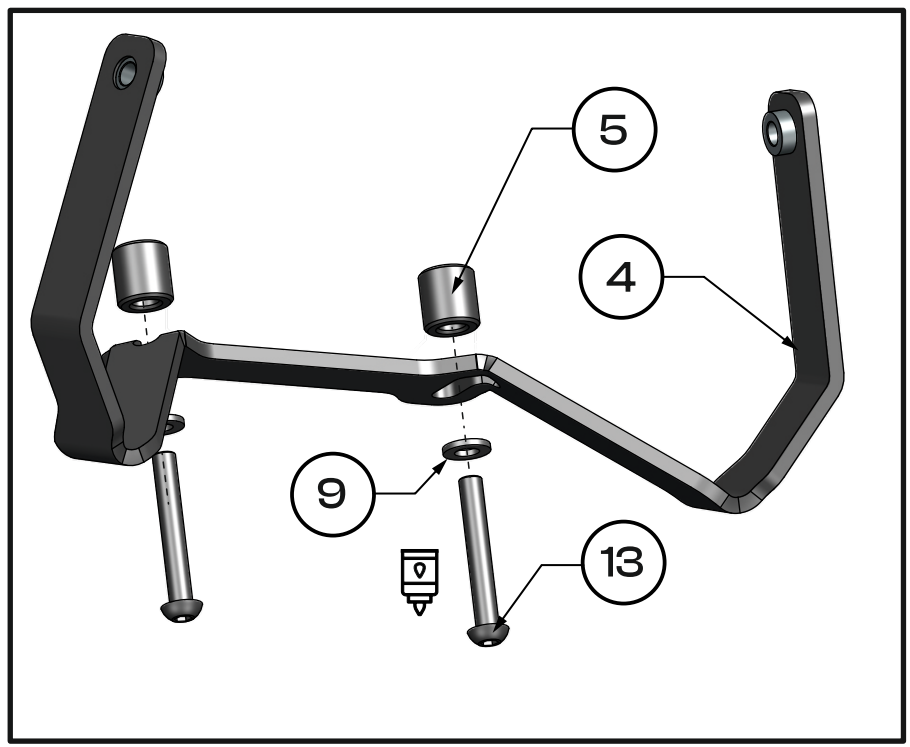


Fig. 5



!!! Initially, attach the screws loosely.

After assembling everything together, tighten them with the appropriate force.

follow  [yakkexp](#) join [#yakkherd](#)

4. Screw the right and left mountings **[2]** and **[3]** with screw **[11]** M8x40-DIN 7380 through washer M8 DIN 125 **[9]** and sleeve **[7]** D17xd9xH19. Use medium-strength adhesive.

5. Screw the right and left mountings **[2]** and **[3]** with screw [10] M8x35-DIN 7380 through washer M8 DIN 125 **[9]** and sleeve **[7]** D17x9xH17 use medium-strength adhesive

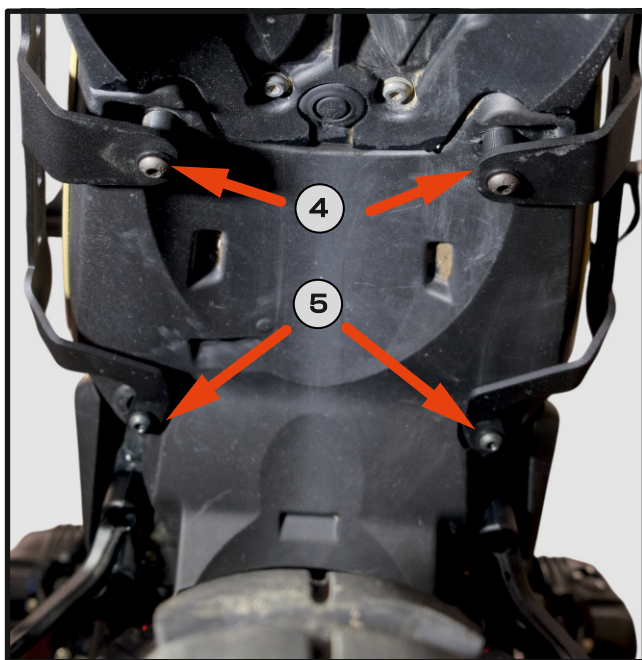
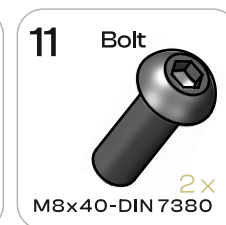
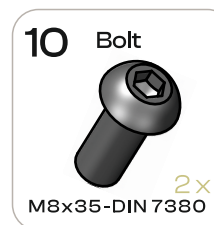
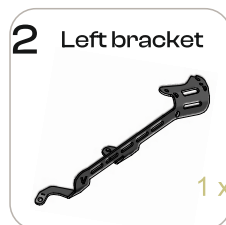


Fig. 6

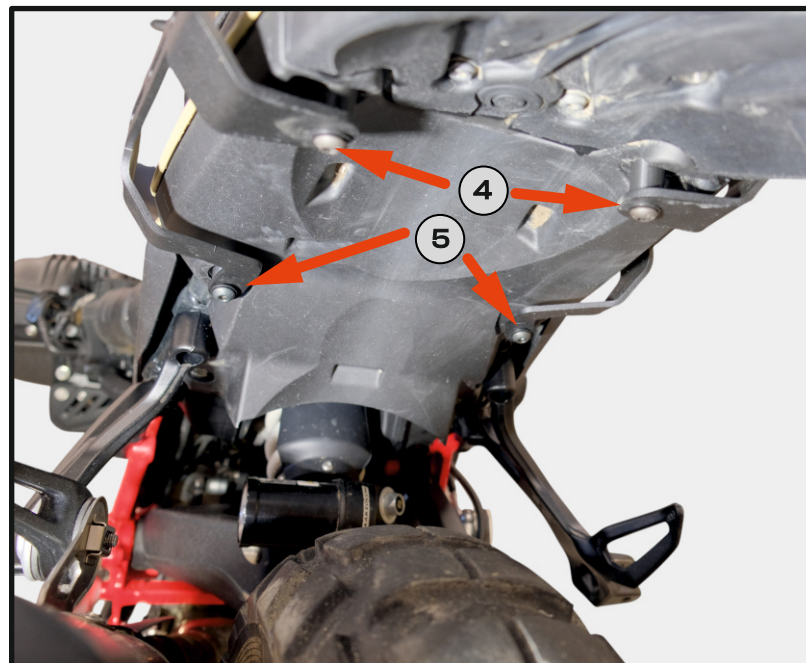


Fig. 7

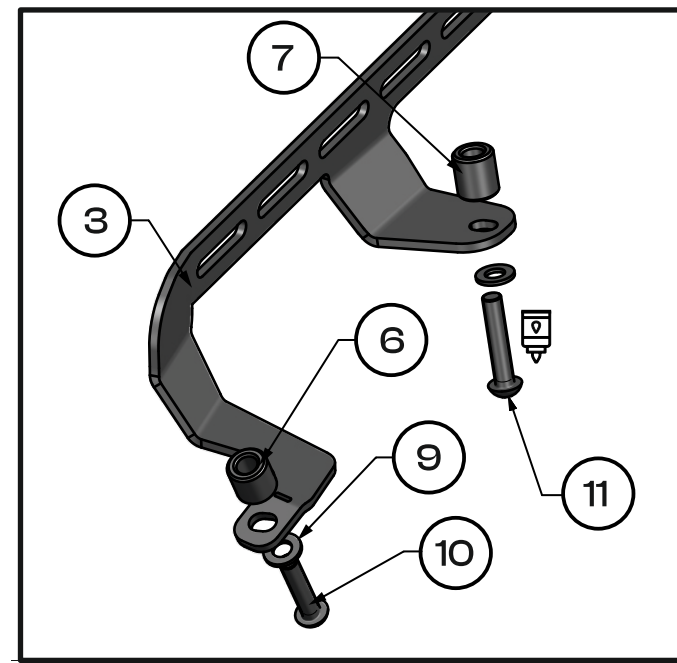


Fig. 8



!!! Initially, attach the screws loosely.

After assembling everything together, tighten them with the appropriate force.

follow  yakkexp join #yakkherd

6. Screw the right and left mounts **[2]** and **[3]** with screw **[14]** M6x12-DIN 7991 through the washer to the central mount **[4]**; use medium-strength adhesive.

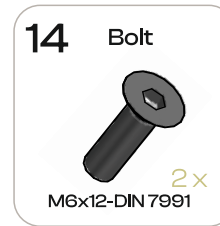


Fig. 9

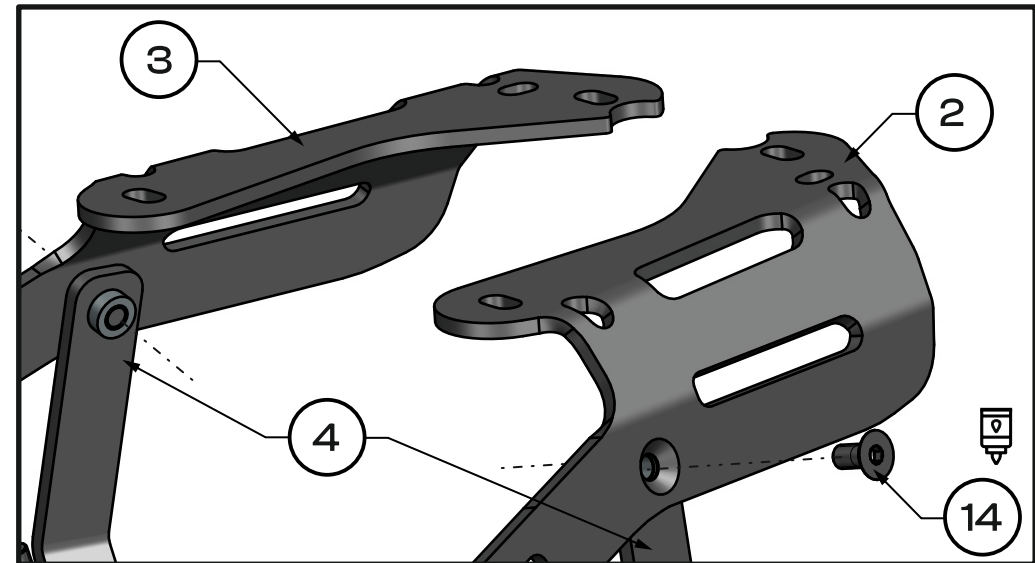


Fig.10



!!! Initially, attach the screws loosely.

After assembling everything together, tighten them with the appropriate force.

follow  yakkexp join #yakkherd

7. Screw the plate **[1]** to the left and right mountings **[2]** and **[3]** using an M6x16-DIN 7991 screw **[12]**, tightening it from below with an M6 - DIN 985 nut **[15]** through an M8-DIN125 washer **[8]**.

8. Adjust the plate **[1]** relative to the motorcycle axle and tighten the screws with the appropriate force.

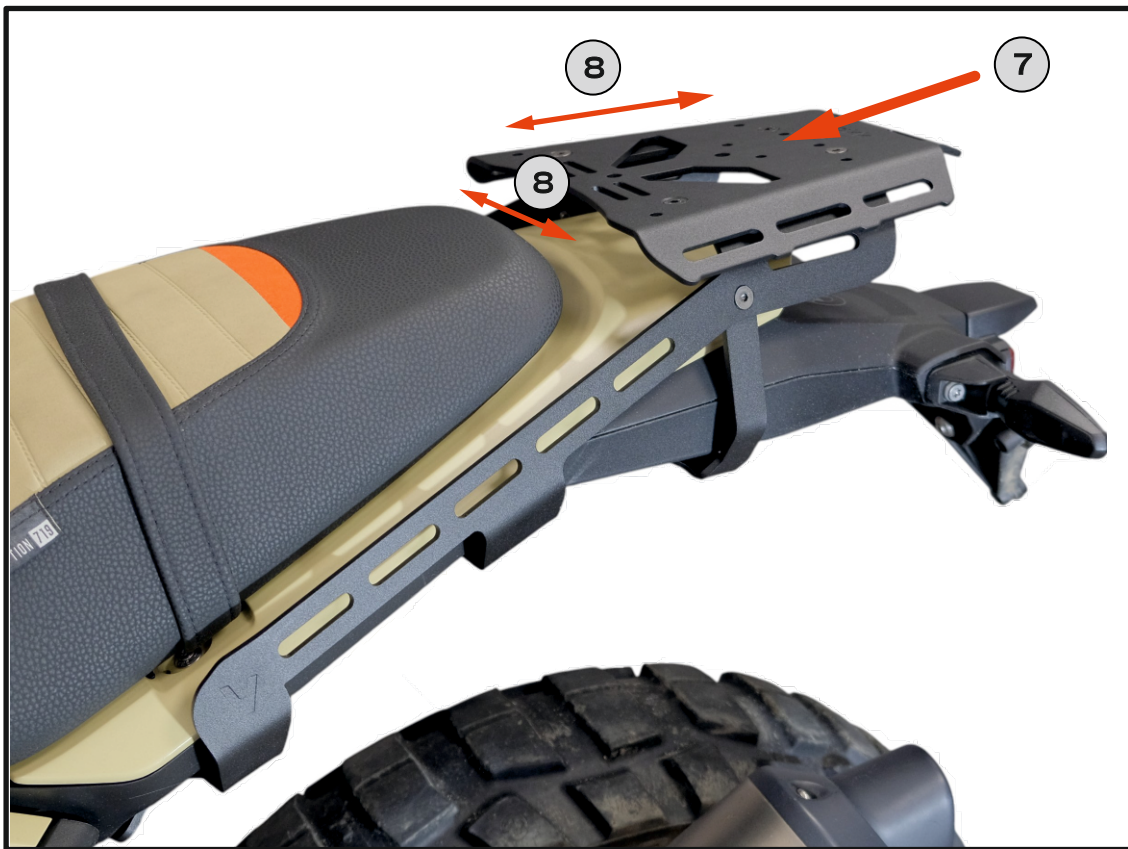
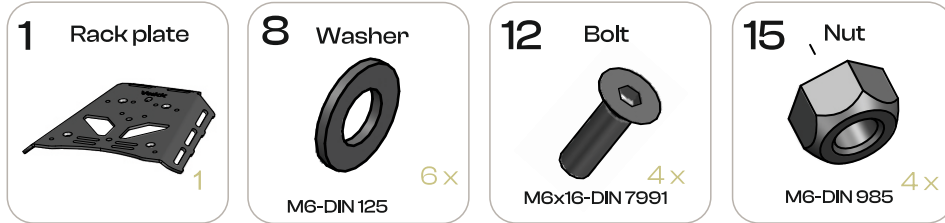


Fig.11

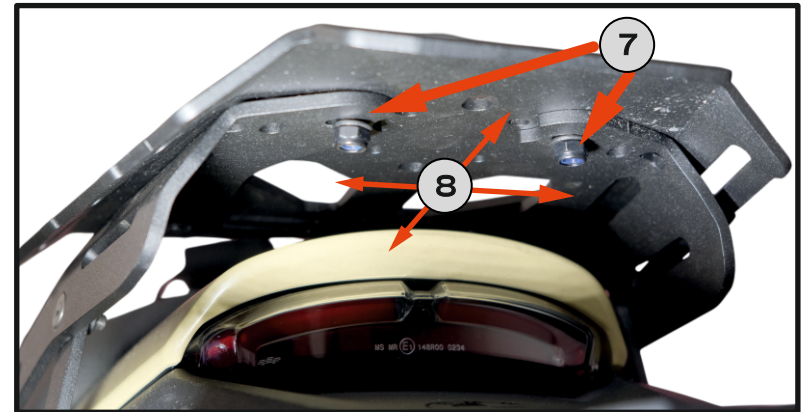
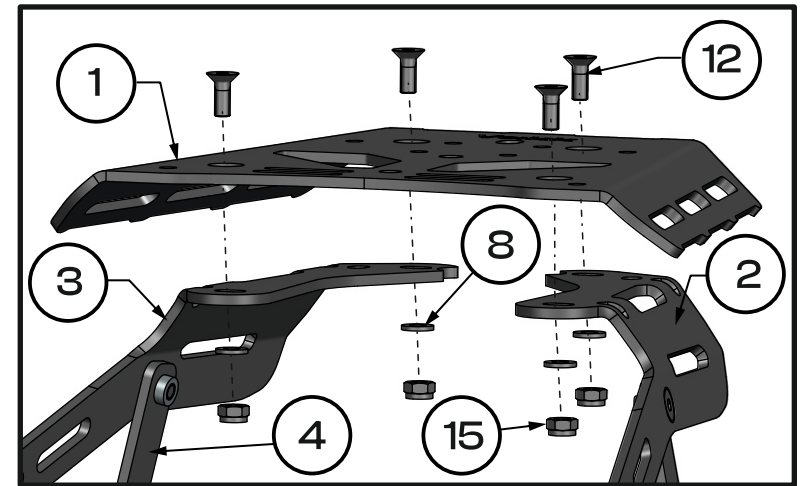


Fig.12

